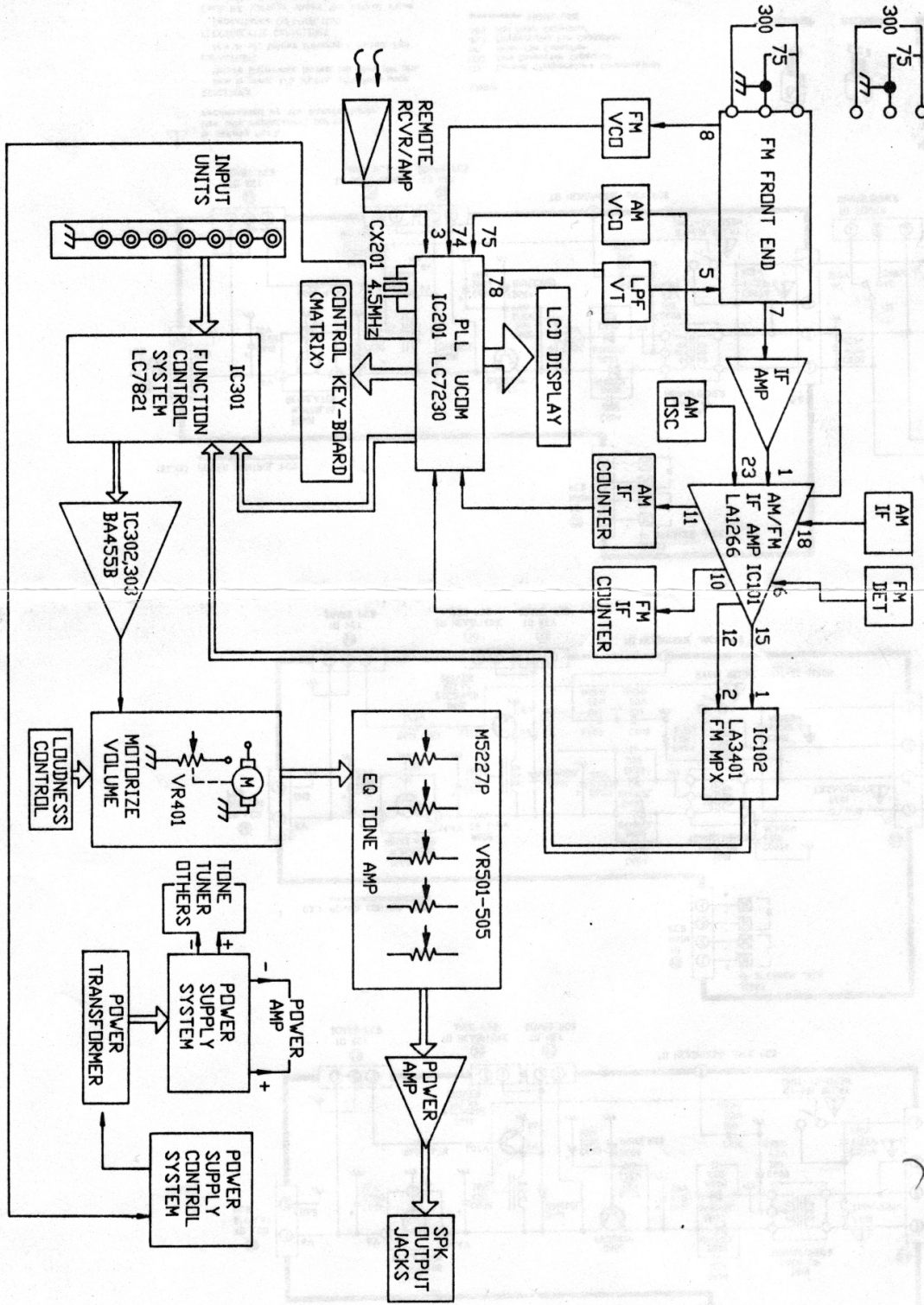


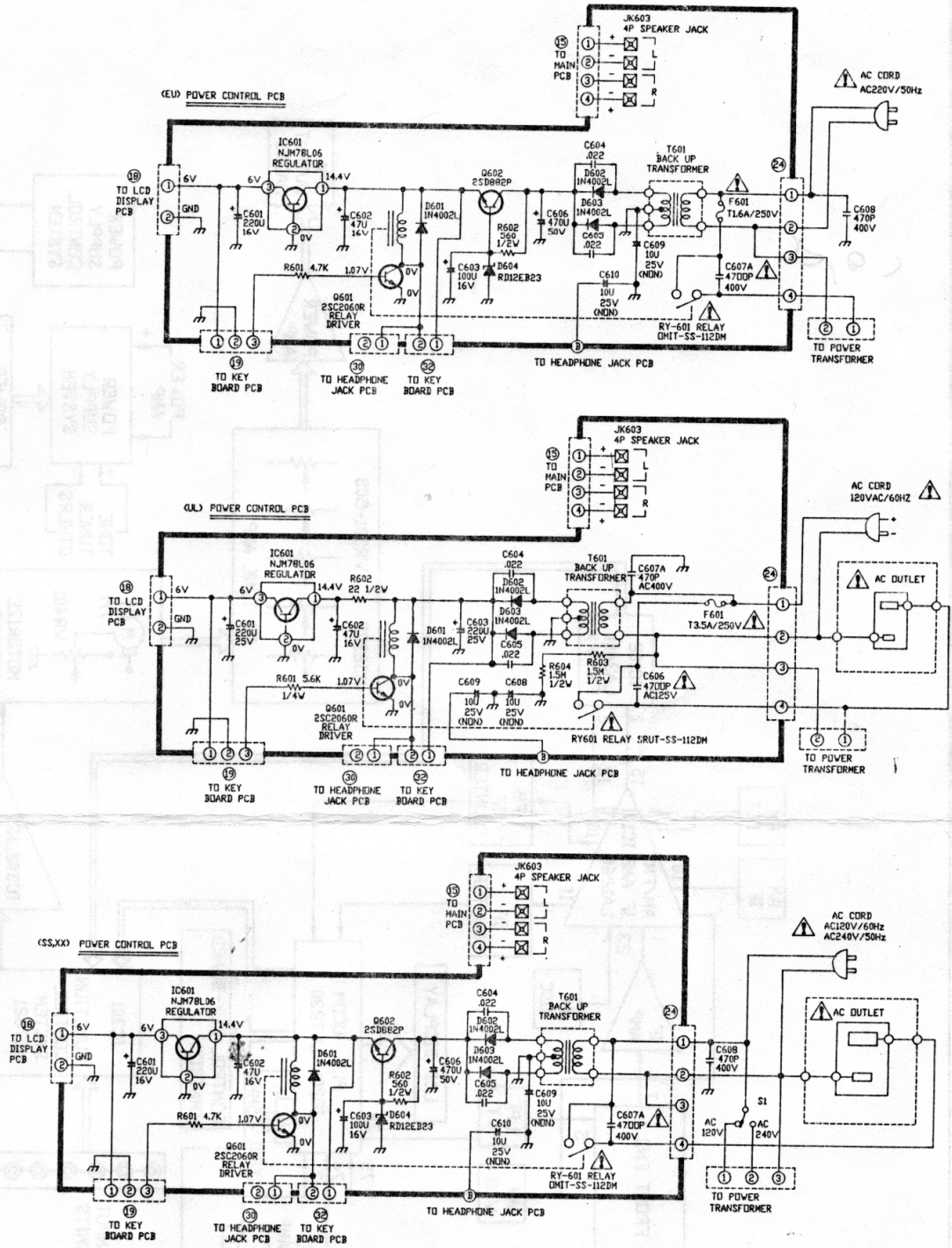
# SANSUI R-550 Schematics



# 1. BLOCK DIAGRAM



8-3. Power Control



Is Safety Part.  
Use only replacement parts recommended by the manufacturer.

**RESISTORS**  
Are in ohms, 1/6 Watts, 25% Tolerance  
Unless Otherwise Noted, kK ohm, M ohm

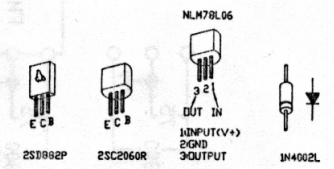
**CAPACITORS**  
Are in  $\mu$ F, Unless Otherwise Noted, PpF

**ELECTROLYTIC CAPACITORS**  
Capacitance ( $\mu$ F)/VOLT(V)  
Each D.C. Voltage shows the nominal value in volts during recording.

**SYMBOL**

(C) Ceramic (Temperature Compensation)  
(CR) Semi Conductor Capacitor  
(M) Mylar Film Capacitor  
(PL) Polypropylene Film Capacitor  
(NP) Non-Polar Capacitor

— SIGNAL LINE



- Design and specifications subject to change without notice for improvement.
- La présentation et les spécifications sont susceptibles d'être modifiées sans préavis par suites d'améliorations éventuelles.
- Änderungen, die dem technischen Fortschritt dienen, bleiben vorbehalten.

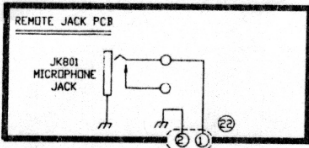
STAND BY  
10V



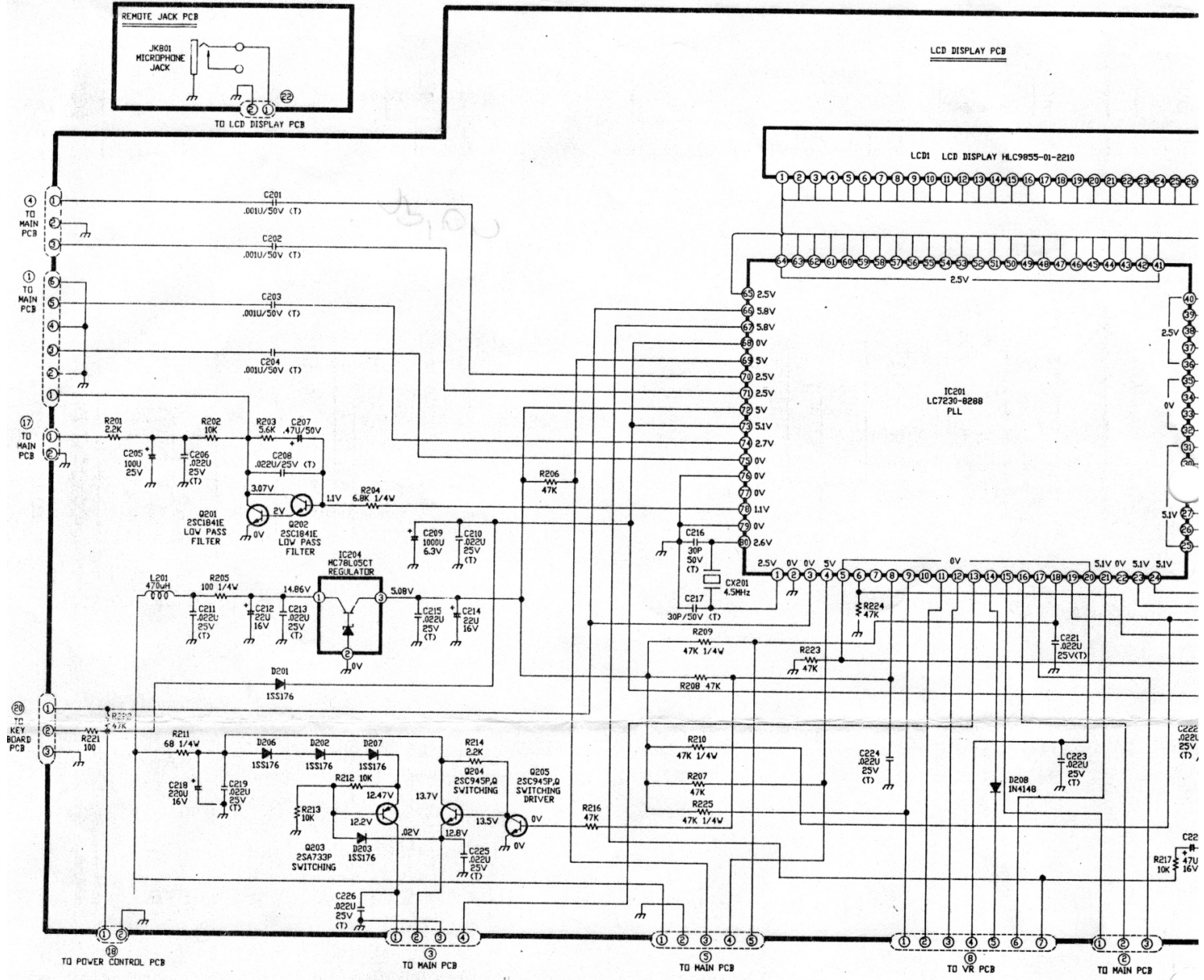
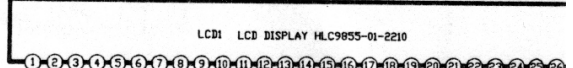
R-550

7707  
11070

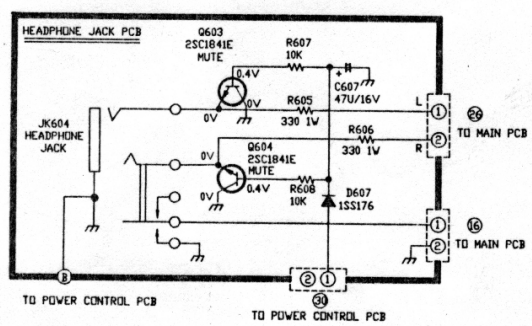
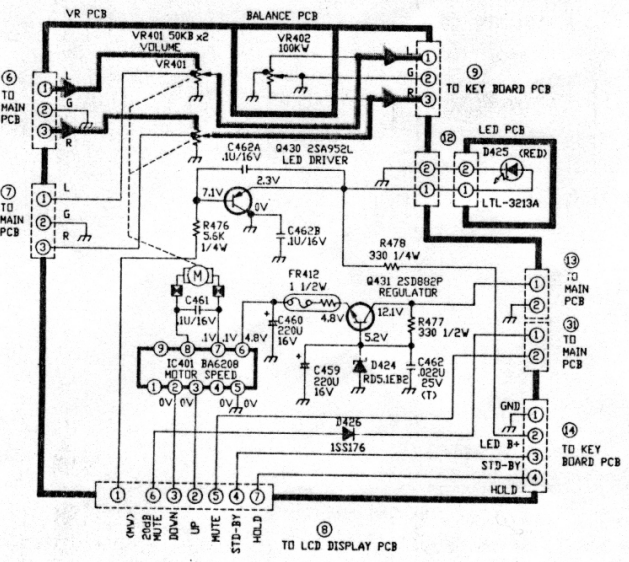
8-2. LCD Display/Key Board/VR /Blance/Headphone Jack/Step Switch/LED



LCD DISPLAY PCB



TO MAIN PCB TO POWER CONTROL PCB TO MAIN PCB TO MAIN PCB TO VR PCB TO MAIN PCB

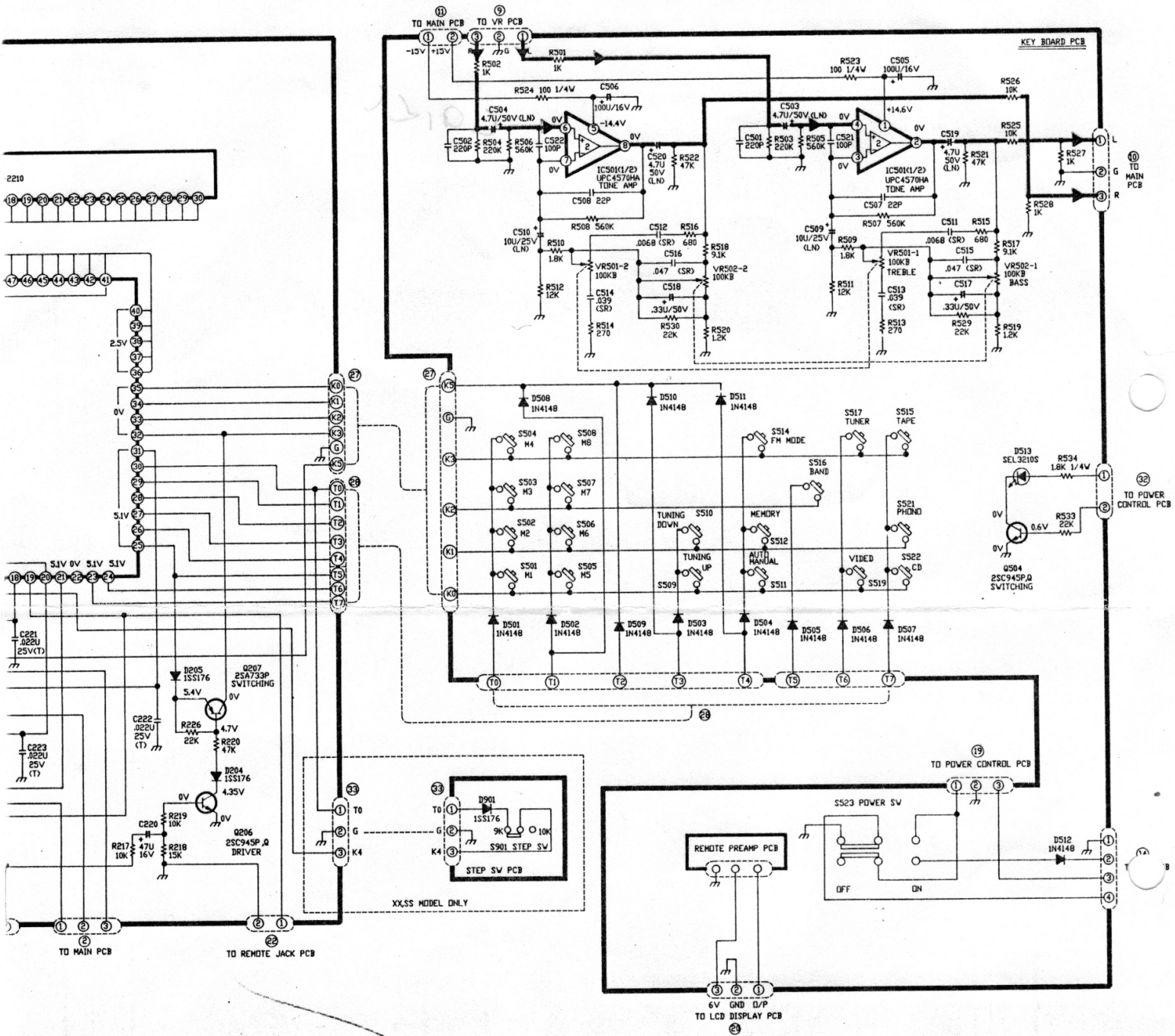


RESISTORS Are in ohms Unless Dths Are in uF, l ELECTROLYTIC Capacitance Each DC Volt in volts du



# 550 R-550

- Design and specifications subject to change without notice for improvement.
- La présentation et les spécifications sont susceptibles d'être modifiées sans préavis par suites d'améliorations éventuelles.
- Änderungen, die dem technischen Fortschritt dienen, bleiben vorbehalten.



**RESISTORS**  
Are in ohms, 1/6 Watts, ±5% Tolerance  
Unless Otherwise Noted. k=ohm, M=ohm

**CAPACITORS**  
Are in uF, Unless Otherwise Noted. PpF

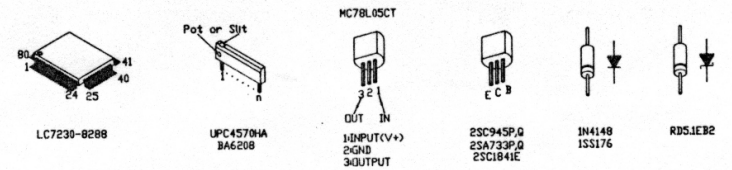
**ELECTROLYTIC CAPACITORS**  
Capacitance (uF)/VOLT(V)

Each DC Voltage shows the nominal value in volts during recording.

**SYMBOL**

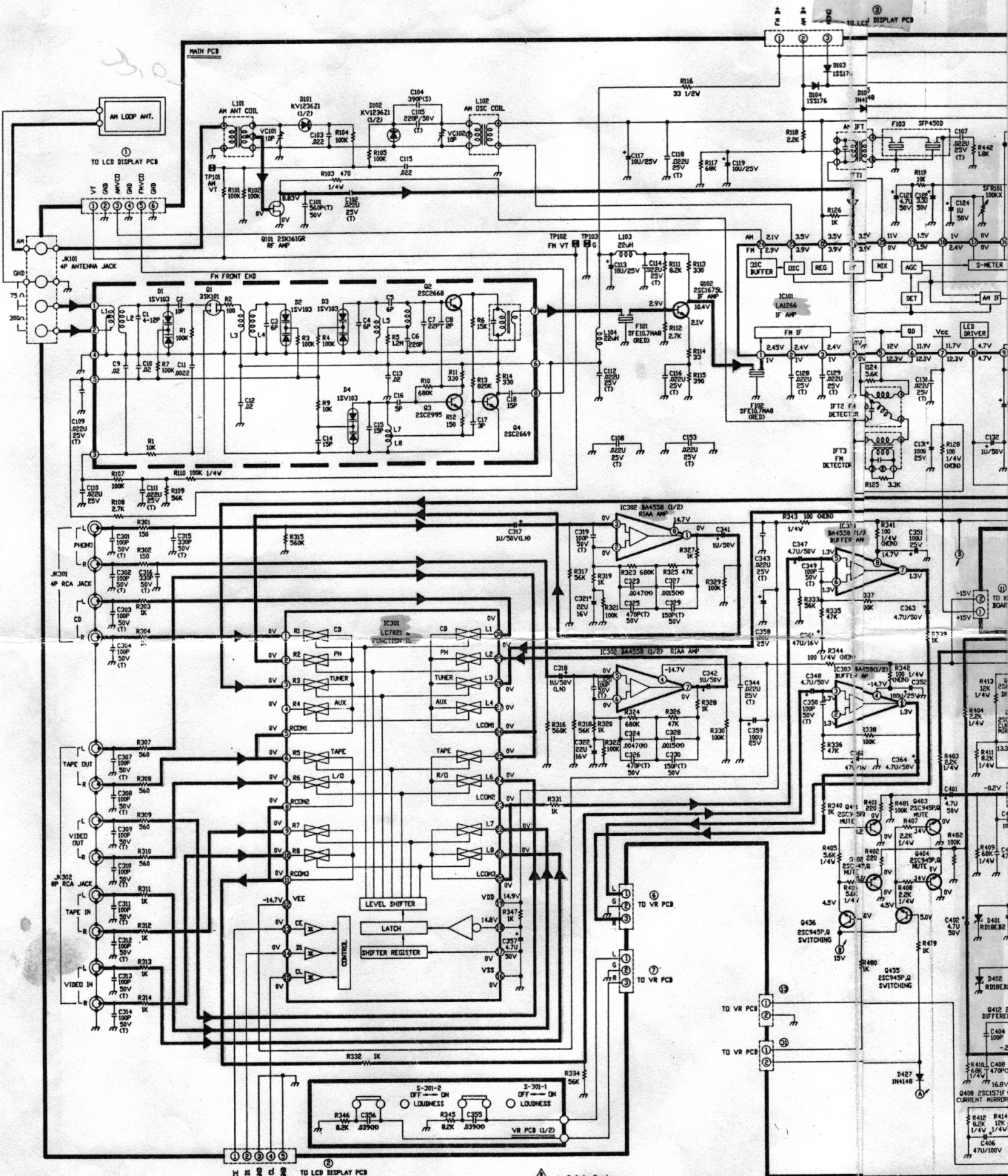
(T) Ceramic (Temperature Compensation)  
(SR) Semi Conductor Capacitor  
(D) Mylar Film Capacitor  
(PL) Polypropylene Film Capacitor  
(NP) Non-Polar Capacitor

— SIGNAL LINE



# 8. SCHEMATIC DIAGRAM

8-1. Main/Lamp



⚠ is Safety Part.  
Use only replacement parts recommended by the manufacturer.

**RESISTORS**  
Are in ohms, 1/4 Watts, ±5% Tolerance  
Unless Otherwise Noted: ohm, ohm, ohm, ohm  
**CAPACITORS**  
Are in  $\mu$ F, Unless Otherwise Noted: pF  
**ELECTROLYTIC CAPACITORS**  
Capacitance ( $\mu$ F/VOLTS)

Each DC Voltage shows the nominal value in volts during recording.

**SYMBOL**  
(T) Ceramic (Temperature Compensation)  
(CS) Semi Conductor Capacitor  
(M) Mylar Film Capacitor  
(PL) Polypropylene Film Capacitor  
(OP) Non-Polar Capacitor

— SIGNAL LINE



2103 11010

- Design and specifications subject to change without notice for improvement.
- La présentation et les spécifications sont susceptibles d'être modifiées sans préavis par suites d'améliorations éventuelles.
- Änderungen, die dem technischen Fortschritt dienen, bleiben vorbehalten.

